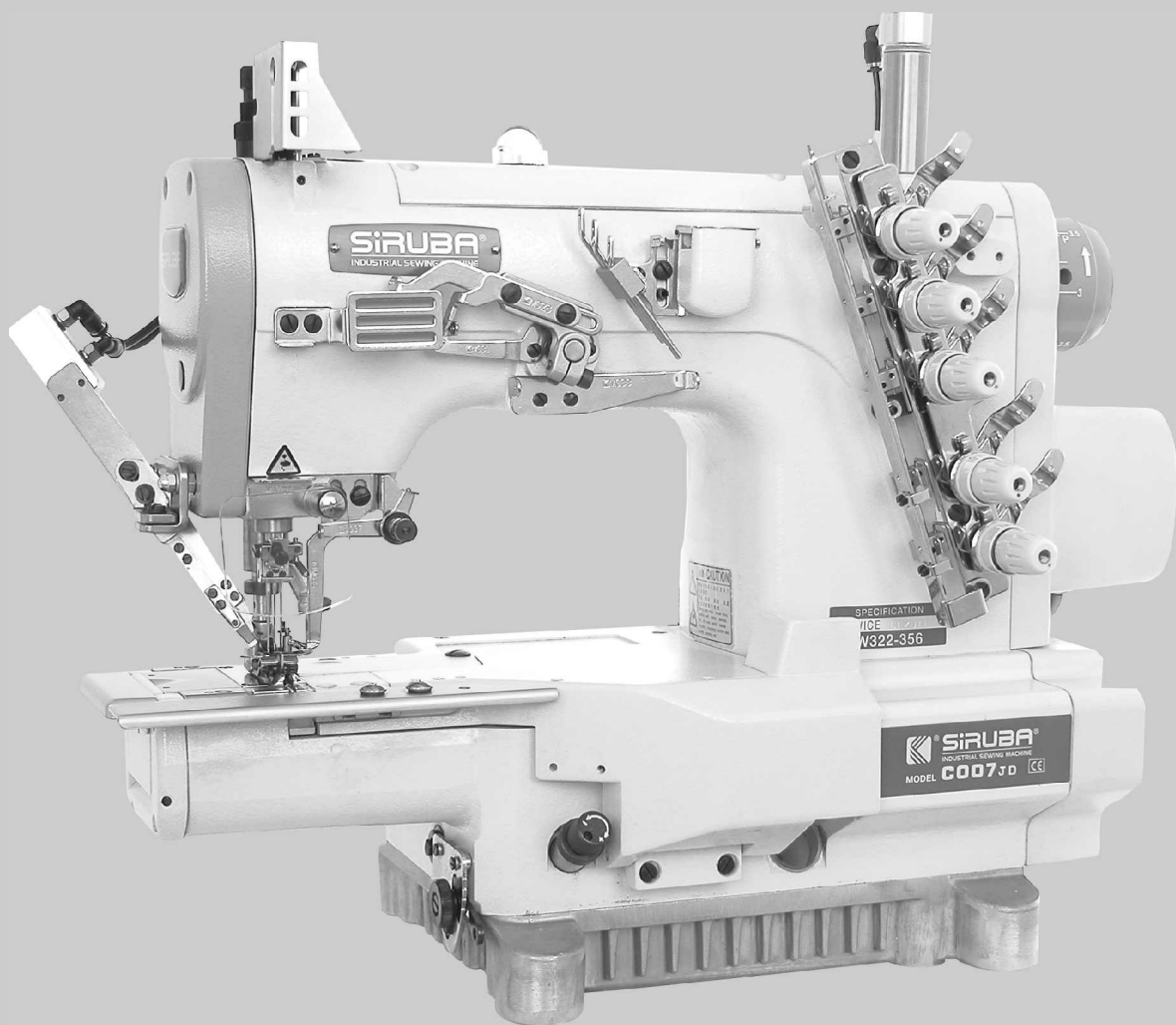


SIRUBA®

銀箭牌工業用縫紉機
INDUSTRIAL SEWING MACHINE

C007JD

零件圖 PARTS LIST



CE

 高林股份有限公司
KAULIN MFG. CO., LTD.

MODEL 機 型	SUB-CLASS 規 格	NEEDLE CLAMP 針 座	NEEDLE PLATE 針 板	MAIN FEED DOG 主 送 具	DIFF. FEED DOG 差 送 具	PRESSER FOOT 押 具	SPREADER 上 叉	LOOPER 勾 針	CAM 偏 心 凸 輪	NEEDLE 針 號
C007JD-W121 /CH	240	M5240	E 3514P	D 4206	H 4458	P 2544	MH41	MT01	MF01-A	UY128GAS #10
	248	M5248	E 3515P	D 4206	H 4458	P 2545	—	MT01	MF01-A	UY128GAS #10
	356	M5356	E 3836P	D 4206	H 4458	P 2446	—	MT01	MF01-A	UY128GAS #10
	364	M5364	E 3837P	D 4207	H 4459	P 2447	—	MT01	MF01-A	UY128GAS #10
C007JD-U121 /CH	240	M5240	E 3514P	D 4206	H 4458	P 2544	—	MT01	MF01-A	UY128GAS #10
	248	M5248	E 3515P	D 4206	H 4458	P 2545	—	MT01	MF01-A	UY128GAS #10
	356	M5356	E 3836P	D 4206	H 4458	P 2446	—	MT01	MF01-A	UY128GAS #10
	364	M5364	E 3837P	D 4207	H 4459	P 2447	—	MT01	MF01-A	UY128GAS #10
C007JD-W122 /CH	240	M5240	E 3524P	D 4206	H 4458	P 2544	MH41	MT01	MF01-A	UY128GAS #10
	248	M5248	E 3525P	D 4206	H 4458	P 2545	—	MT01	MF01-A	UY128GAS #10
	256	M5356	E 3826S	D 4206	H 4458	P 2446	—	MT01	MF01-A	UY128GAS #10
	356	M5356	E 3826P	D 4206	H 4458	P 2446	—	MT01	MF01-A	UY128GAS #10
364	M5364	E 3827P	D 4207	H 4459	P 2447	—	MT01	MF01-A	UY128GAS #10	
C007JD-U122 /CH	240	M5240	E 3524P	D 4206	H 4458	P 2544	—	MT01	MF01-A	UY128GAS #10
	248	M5248	E 3525P	D 4206	H 4458	P 2545	—	MT01	MF01-A	UY128GAS #10
	256	M5356	E 3826S	D 4206	H 4458	P 2446	—	MT01	MF01-A	UY128GAS #10
	356	M5356	E 3826P	D 4206	H 4458	P 2446	—	MT01	MF01-A	UY128GAS #10
364	M5364	E 3827P	D 4207	H 4459	P 2447	—	MT01	MF01-A	UY128GAS #10	

註：P2544/2545 為固定式押具舌,亦可使用活動式押具舌 P2565代替P2544/P2545
P2446/2447 為固定式押具舌,亦可使用活動式押具舌 P2466代替P2446/2447

規格件表 CONVERSION CHART-2

MODEL 機型	SUB-CLASS 規格	NEEDLE CLAMP 針座	NEEDLE PLATE 針板	MAIN FEED DOG 主送具	DIFF. FEED DOG 差送具	PRESSER FOOT 押具	SPREADER 上叉	LOOPER 勾針	CAM 偏心凸輪	NEEDLE 針
C007JD-U122 CH/UTQ(UTS)	240 248 256 356 364	M5240 M5248 M5356 M5356 M5364	E 3524P E 3525P E 3826S E 3826P E 3827P	D 4206 D 4206 D 4206 D 4206 D 4207	H 4458 H 4458 H 4458 H 4458 H 4459	P 2544 P 2545 P 2446 P 2446 P 2447	—	MT01	MF01-A	UY128GAS #10
C007JD-W122 /CHA	356	M5356	E 3826Q	D 4206	H 4458	P 0216	MH41	MT01	MF01-A	UY128GAS #10
C007JD-U122 /CHA	356	M5356	E 3826Q	D 4206	H 4458	P 0416	—	MT01	MF01-A	UY128GAS #10
C007JD-W123 /CH	356 364	M5356 M5364	E 3816P E 3817P	D 4206 D 4207	H 4458 H 4459	P 2446 P 2447	MH41	MT01	MF01-A	UY128GAS #10
C007JD-U123 /CH	356 364	M5356 M5364	E 3816P E 3817P	D 4206 D 4207	H 4458 H 4459	P 2446 P 2447	—	MT01	MF01-A	UY128GAS #10
C007JD-W123 CH/UTP(UTR)	356 364	M5356 M5364	E 3816P E 3817P	D 4206 D 4207	H 4458 H 4459	P 2446 P 2447	MH41	MT01	MF01-A	UY128GAS #10
C007JD-U123 CH/UTQ(UTS)	356 364	M5356 M5364	E 3816P E 3817P	D 4206 D 4207	H 4458 H 4459	P 2446 P 2447	—	MT01	MF01-A	UY128GAS #10
C007JD-W132 /CHE	240 248 356 364	M5240 M5248 M5356 M5364	E 2324P E 2325P E 2326P E 2327P	D 2109 D 2109 D 2110 D 2110	H 2219 H 2219 H 2220 H 2220	P 2904 P 2905 P 2906 P 2907	MH41	MT01	MF01-A	UY128GAS #10
C007JD-W132 CHE/UTP(UTR)	356 364	M5356 M5364	E 2326P E 2327P	D 2110	H 2220	P 2906 P 2907	MH41	MT01	MF01-A	UY128GAS #10

註：P2544/2545 為固定式押具舌,亦可使用活動式押具舌 P2565 代替 P2544/P2545
P2446/2447 為固定式押具舌,亦可使用活動式押具舌 P2466 代替 P2446/2447

MODEL 機 型	SUB-CLASS 規 格	NEEDLE CLAMP 針 座	NEEDLE PLATE 針 板	MAIN FEED DOG 主 送 具	DIFF. FEED DOG 差 送 具	PRESSER FOOT 押 具	SPREADER 上 叉	LOOPER 勾 針	CAM 偏 心 凸 輪	NEEDLE 針 號
C007JD-W152 /CZP/RLQ	356 364	M5356 M5364	E4326 E4327	D 3216 D 3217	H 3262 H 3263	P 2416 P 2417	MH41	MT01	MF01-A	UY128GAS #10
C007JD-U152 /CZP/RLQ	356 364	M5356 M5364	E4326 E4327	D 3216 D 3217	H 3262 H 3263	P 2416 P 2417	—	MT01	MF01-A	UY128GAS #10
C007JD-W152 CZP/CLA/RLQ	356 364	M5356 M5364	E4326 E4327	D 3216 D 3217	H 3262 H 3263	P 2416 P 2417	MH41	MT01	MF01-A	UY128GAS #10
C007JD-U152 CZP/CLA/RLQ	356 364	M5356 M5364	E4326 E4327	D 3216 D 3217	H 3262 H 3263	P 2416 P 2417	—	MT01	MF01-A	UY128GAS #10
C007JD-W162	240 248 356 364	M5240 M5248 M5356 M5364	E3544 E3545 E3846 E3847	D4206 D4206 D4206 D4207	H4458 H4458 H4458 H4459	P2544 P2545 P2446 P2447	MH41	MT01A	MF91-A	UY128GAS #14~16
C007JD-U162	240 248 356 364	M5240 M5248 M5356 M5364	E3544 E3545 E3846 E3847	D4206 D4206 D4206 D4207	H4458 H4458 H4458 H4459	P2544 P2545 P2446 P2447	—	MT01A	MF91-A	UY128GAS #14~16
C007JD-W162 /UTP (UTR)	240 248 356 364	M5240 M5248 M5356 M5364	E3544 E3545 E3846 E3847	D4206 D4206 D4206 D4207	H4458 H4458 H4458 H4459	P2544 P2545 P2446 P2447	MH41	MT01A	MF91-A	UY128GAS #14~16
C007JD-U162 /UTQ (UTS)	240 248 356 364	M5240 M5248 M5356 M5364	E3544 E3545 E3846 E3847	D4206 D4206 D4206 D4207	H4458 H4458 H4458 H4459	P2544 P2545 P2446 P2447	—	MT01A	MF01-A	UY128GAS #14~16

註：P2544/2545 為固定式押具舌，亦可使用活動式押具舌 P2565 代替 P2544/P2545
P2446/2447 為固定式押具舌，亦可使用活動式押具舌 P2466 代替 P2446/2447

規格件表 CONVERSION CHART-4

MODEL	SUB-CLASS	NEEDLE CLAMP	NEEDLE PLATE	MAIN FEED DOG	DIFF. FEED DOG	PRESSER FOOT	SPREADER	LOOPER	CAM	NEEDLE
機型	規格	針座	針板	主送具	差送具	押具	上叉	勾針	偏心凸輪	針號
C007JD-W222/CQ	240 248 356 364	M5240 M5248 M5356 M5364	E 4124P E 4125P E 4426P E 4427P	D 3216 D 3216 D 3216 D 3217	H 3362 H 3362 H 3362 H 3363	P1814 P1815 P2116 P2117	MH41 —	MT01	MF01-A	UY128GAS #10
C007JD-U222/CQ										
C007JD-W222/CQA/CLA	256	M5356	E2326Q	D2110	H2220Q	P2906Q	MH41	MT01A	MF91-A	TV*5 #14
C007JD-W222/CQB/CC	248 356 364	M5248 M5356 M5364	E 4125P E 4426P E 4427P	D 3216 D 3216 D 3217	H 3362 H 3362 H 3363	P1815 P2116 P2117	MH41	MT01	MF01-A	UY128GAS #10
C007JD-U222/CQB/CD										
C007JD-W222/CQB/CE										
C007JD-U222/CQB/CC	248 356 364	M5248 M5356 M5364	E 4125P E 4426P E 4427P	D 3216 D 3216 D 3217	H 3362 H 3362 H 3363	P2315 P2616 P2617	—	MT01	MF01-A	UY128GAS #10
C007JD-U222/CQB/CD										
C007JD-U222/CQB/CE										
C007JD-W322/CC	356 364	M5356 M5364	E 2826P E 2827P	D 2107L D 2107L	H 3259M H 3259M	P2456 P2457	MH41	MT01	MF01-A	UY128GAS #10
C007JD-U322/CC	356 364	M5356 M5364	E 2826P E 2827P	D 2107L D 2107L	H 3259M H 3259M	P2456 P2457	—	MT01	MF01-A	UY128GAS #10
C007JD-W322/CC/UTP(UTR)	356 364	M5356 M5364	E 2826P E 2827P	D 2107L D 2107L	H 3259M H 3259M	P2456 P2457	MH41	MT01	MF01-A	UY128GAS #10
C007JD-U322/CC/UTQ(UTS)	356 364	M5356 M5364	E 2826P E 2827P	D 2107L D 2107L	H 3259M H 3259M	P2456 P2457	—	MT01	MF01-A	UY128GAS #10

*CQB為三合一機型 註：P2544/2545 為固定式押具舌,亦可使用活動式押具舌 P2565代替P2544/P2545
P2446/2447 為固定式押具舌,亦可使用活動式押具舌 P2466代替P2446/2447

MODEL 機 型	SUB-CLASS 規 格	NEEDLE CLAMP 針 座	NEEDLE PLATE 針 板	MAIN FEED DOG 主 送 具	DIFF. FEED DOG 差 送 具	PRESSER FOOT 押 具	SPREADER 上 叉	LOOPER 勾 針	CAM 偏 心 凸 輪	NEEDLE 針 號
C007JD-W322 /CD	356 364	M5356 M5364	E 3626P E 3627P	D 4206 D 4207	H 4158 H 4159	P 2446 P 2447	MH41	MT01	MF01-A	UY128GAS #10
C007JD-U322 /CD	356 364	M5356 M5364	E 3626P E 3627P	D 4206 D 4207	H 4158 H 4159	P 2446 P 2447	—	MT01	MF01-A	UY128GAS #10
C007JD-W322 CD/UTP(UTR)	356 364	M5356 M5364	E 3626P E 3627P	D 4206 D 4207	H 4158 H 4159	P 2446 P 2447	MH41	MT01	MF01-A	UY128GAS #10
C007JD-U322 CD/UTQ(UTS)	356 364	M5356 M5364	E 3626P E 3627P	D 4206 D 4207	H 4158 H 4159	P 2446 P 2447	—	MT01	MF01-A	UY128GAS #10
C007JD-W322 /CE	356 364	M5356 M5364	E 2626P E 2627P	D 2107	H 3159	P 2456 P 2457	MH41	MT01	MF01-A	UY128GAS #10
C007JD-U322 /CE	356 364	M5356 M5364	E 2626P E 2627P	D 2107	H 3159	P 2456 P 2457	—	MT01	MF01-A	UY128GAS #10
C007JD-W322 CE/UTP(UTR)	356 364	M5356 M5364	E 2626P E 2627P	D 2107	H 3159	P 2456 P 2457	MH41	MT01	MF01-A	UY128GAS #10
C007JD-U322 CE/UTQ(UTS)	356 364	M5356 M5364	E 2626P E 2627P	D 2107	H 3159	P 2456 P 2457	—	MT01	MF01-A	UY128GAS #10
C007JD-U322 /CF	248	M5348	E 2625P	D 2106	H 3158	P 2555P	—	MT01	MF01-A	UY128GAS #10
C007JD-U322 CF/UTQ(UTS)	248	M5348	E 2625P	D 2106	H 3158	P 2555P	—	MT01	MF01-A	UY128GAS #10

註：P2544/2545 為固定式押具舌，亦可使用活動式押具舌 P2565 代替 P2544/P2545
P2446/2447 為固定式押具舌，亦可使用活動式押具舌 P2466 代替 P2446/2447

規格件表 CONVERSION CHART-6

MODEL	SUB-CLASS	規格	NEEDLE CLAMP	針座	NEEDLE PLATE	主送具	DIFF. FEED DOG	PRESSER FOOT	SPREADER	LOOPER	CAM	NEEDLE
機型			針座	針板	主送具	差送具	押具	上叉	勾針	偏心凸輪	針號	
C007JD-W512 /FE	240 356 364	M5240 M5356 M5364	E 3524R E 3826R E 3827R	D 4206 D 4206 D 4207	H 4458 H 4458 H 4459	P 2914 P 3216 P 3217	MH41	MT01	MF01-A	UY128GAS #10		
C007JD-U512 /FE	240 356 364	M5240 M5356 M5364	E 3524R E 3826R E 3827R	D 4206 D 4206 D 4207	H 4458 H 4458 H 4459	P 3414 P 3716 P 3717	—	MT01	MF01-A	UY128GAS #10		
C007JD-W522 /FE/CR/CL	356 364	M5356 M5364	E 6426R E 6427R	D 3222	H 3268	P 3816R P 3817R	MH41	MT01	MF01-A	UY128GAS #10		
C007JD-U522 /FE/CR/CL	356 364	M5356 M5364	E 6426R E 6427R	D 3222	H 3268	P 3816R P 3817R	—	MT01	MF01-A	UY128GAS #10		
C007JD-W532/ CR/UTP/CL/RLP/CX	356 364	M5356 M5364	E 6426R E 6427R	D 3222	H 3268	P 3816R P 3817R	MH41	MT01	MF01-A	UY128GAS #10		
C007JD-U532/ CR/UTQ/CL/RLP/CX	356 364	M5356 M5364	E 6426R E 6427R	D 3222	H 3268	P 3816R P 3817R	MH41	MT01	MF01-A	UY128GAS #10		
C007J-W922/ CW	456 464	M5456 M5464	E 1828P E 1848P	D 2107M	H 4459M	P 2428P P 2448P	MH41	MT01B	MF01-A	SM1014B#10 (MY1014B#70,SY7256)		

註：C007JD不可加裝 FFC

MODEL	SUB-CLASS	NEEDLE CLAMP	NEEDLE PLATE	MAIN FEED DOG	DIFF. FEED DOG	PRESSER FOOT	SPREADER	LOOPER	CAM	NEEDLE
機型	規格	針座	針板	主送具	差送具	押具	上叉	勾針	偏心凸輪	針號
C007JD-W811 /CRL/RL	248 356 364	M5248 M5356 M5364	E 0235R E 0236R E 0237R	D2101Q	H2203R	P2765 P2766 P2767	MH41	MT01	MF91-A	UY128GAS #10
C007JD-W811A /CRL/RL	248 356 364	M5248 M5356 M5364	E 0235Q E 0236Q E 0237Q	D2101Q	H2203Q	P2765 P2766 P2767	MH41	MT01	MF91-A	UY128GAS #10
C007JD-U811 /CRL/RL	248 356 364	M5248 M5356 M5364	E 0235R E 0236R E 0237R	D2101Q	H2203R	P0965 P0966 P0967	—	MT01	MF91-A	UY128GAS #10
C007JD-U811A /CRL/RL	248 356 364	M5248 M5356 M5364	E 0235Q E 0236Q E 0237Q	D2101Q	H2203Q	P0965 P0966 P0967	—	MT01	MF91-A	UY128GAS #10
C007JD-W812 /CRL/RL	248 356 364	M5248 M5356 M5364	E 0225R E 0226R E 0227R	D2101Q	H2203R	P2765 P2766 P2767	MH41	MT01	MF91-A	UY128GAS #10
C007JD-W812A /CRL/RL	248 356 364	M5248 M5356 M5364	E 0225Q E 0226Q E 0227Q	D2101Q	H2203Q	P2765 P2766 P2767	MH41	MT01	MF91-A	UY128GAS #10
C007JD-U812 /CRL/RL	248 356 364	M5248 M5356 M5364	E 0225R E 0226R E 0227R	D2101Q	H2203R	P0965 P0966 P0967	—	MT01	MF91-A	UY128GAS #10
C007JD-U812A /CRL/RL	248 356 364	M5248 M5356 M5364	E 0225Q E 0226Q E 0227Q	D2101Q	H2203Q	P0965 P0966 P0967	—	MT01	MF91-A	UY128GAS #10
C007JD-W812 CRL/UTP/RL	248 356 364	M5248 M5356 M5364	E 0225R E 0226R E 0227R	D2101Q	H2203R	P2765 P2766 P2767	MH41	MT01	MF91-A	UY128GAS #10
C007JD-W812A CRL/UTP/RL	248 356 364	M5248 M5356 M5364	E 0225Q E 0226Q E 0227Q	D2101Q	H2203Q	P2765 P2766 P2767	MH41	MT01	MF91-A	UY128GAS #10
C007JD-U812 CRL/UTQ/RL	248 356 364	M5248 M5356 M5364	E 0225R E 0226R E 0227R	D2101Q	H2203R	P0965 P0966 P0967	—	MT01	MF91-A	UY128GAS #10
C007JD-U812A CRL/UTQ/RL	248 356 364	M5248 M5356 M5364	E 0225Q E 0226Q E 0227Q	D2101Q	H2203Q	P0965 P0966 P0967	—	MT01	MF91-A	UY128GAS #10

註：C007JD-W812A/W812A 機型之針板與差送具為 5 排齒。C007JD-W812/W813 機型之針板與差送具為 4 排齒。

規格件表 CONVERSION CHART-7

規格件表 CONVERSION CHART-8

MODEL	SUB-CLASS	NEEDLE CLAMP	NEEDLE PLATE	MAIN FEED DOG	DIFF. FEED DOG	PRESSER FOOT	SPREADER	LOOPER	CAM	NEEDLE
機型	規格	針座	針板	主送具	差送具	押具	上叉	勾針	偏心凸輪	針號
C007JD-W812 /CRL/UTR/CSB	248 356 364	M5248 M5356 M5364	E 0225R E 0226R E 0227R	D2101Q	H2203R	P2765 P2766 P2767	MH41	MT01	MF91-A	UY128GAS #10
C007JD-W812A /CRL/UTR/CSB	248 356 364	M5248 M5356 M5364	E 0225Q E 0226Q E 0227Q	D2101Q	H2203Q	P2765 P2766 P2767	MH41	MT01	MF91-A	UY128GAS #10
C007JD-U812 /CRL/UTS/CSB	248 356 364	M5248 M5356 M5364	E 0225R E 0226R E 0227R	D2101Q	H2203R	P0965 P0966 P0967	MH41	MT01	MF91-A	UY128GAS #10
C007JD-U812A /CRL/UTS/CSB	248 356 364	M5248 M5356 M5364	E 0225Q E 0226Q E 0227Q	D2101Q	H2203Q	P0965 P0966 P0967	MH41	MT01	MF91-A	UY128GAS #10
C007JD-W813 /CRL/RL	248 356 364	M5248 M5356 M5364	E 0215R E 0216R E 0217R	D2101Q	H2203R	P2765 P2766 P2767	MH41	MT01	MF91-A	UY128GAS #10
C007JD-W813A /CRL/RL	248 356 364	M5248 M5356 M5364	E 0215Q E 0216Q E 0217Q	D2101Q	H2203Q	P2765 P2766 P2767	MH41	MT01	MF91-A	UY128GAS #10
C007JD-U813 /CRL/RL	248 356 364	M5248 M5356 M5364	E 0215R E 0216R E 0217R	D2101Q	H2203R	P0965 P0966 P0967	—	MT01	MF91-A	UY128GAS #10
C007JD-U813A /CRL/RL	248 356 364	M5248 M5356 M5364	E 0215Q E 0216Q E 0217Q	D2101Q	H2203Q	P0965 P0966 P0967	—	MT01	MF91-A	UY128GAS #10
C007JD-W813 CRL/UTP/RL	248 356 364	M5248 M5356 M5364	E 0215R E 0216R E 0217R	D2101Q	H2203R	P2765 P2766 P2767	MH41	MT01	MF91-A	UY128GAS #10
C007JD-W813A CRL/UTP/RL	248 356 364	M5248 M5356 M5364	E 0215Q E 0216Q E 0217Q	D2101Q	H2203Q	P2765 P2766 P2767	MH41	MT01	MF91-A	UY128GAS #10
C007JD-U813 CRL/UTQ/RL	248 356 364	M5248 M5356 M5364	E 0215R E 0216R E 0217R	D2101Q	H2203R	P0965 P0966 P0967	—	MT01	MF91-A	UY128GAS #10
C007JD-U813A CRL/UTQ/RL	248 356 364	M5248 M5356 M5364	E 0215Q E 0216Q E 0217Q	D2101Q	H2203Q	P0965 P0966 P0967	—	MT01	MF91-A	UY128GAS #10

註：C007JD-W812A/W813A 機型之針板與差送具為5排齒，C007JD-W812/W813 機型之針板與差送具為4排齒。

MODEL	SUB-CLASS	NEEDLE CLAMP	NEEDLE PLATE	MAIN FEED DOG	DIFF. FEED DOG	PRESSER FOOT	SPREADER	LOOPER	CAM	NEEDLE
機型	規格	針座	針板	主送具	差送具	押具	上叉	勾針	偏心凸輪	針號
C007JD-W813 /CRL/UTR/CSB	248 356 364	M5248 M5356 M5364	E0235R E0236R E0237R	D2101Q	H2203R	P2765 P2766 P2767	MH41	MT01	MF91-A	UY128GAS #10
C007JD-W813A /CRL/UTR/CSB	248 356 364	M5248 M5356 M5364	E0235Q E0236Q E0237Q	D2101Q	H2203Q	P2765 P2766 P2767	MH41	MT01	MF91-A	UY128GAS #10
C007JD-U813 /CRL/UTS/CSB	248 356 364	M5248 M5356 M5364	E0235R E0236R E0237R	D2101Q	H2203R	P0965 P0966 P0967	MH41	MT01	MF91-A	UY128GAS #10
C007JD-U813A /CRL/UTS/CSB	248 356 364	M5248 M5356 M5364	E0235Q E0236Q E0237Q	D2101Q	H2203Q	P0965 P0966 P0967	MH41	MT01	MF91-A	UY128GAS #10
C007JD-W822 /CRL/CY/CL/RL	248 356 364	M5248 M5356 M5364	E0225R E0226R E0227R	D2101Q	H2203R	P2765 P2766 P2767	MH41	MT01	MF91-A	UY128GAS #10
C007JD-W823 /CRL/CY/CL/RL	248 356 364	M5248 M5356 M5364	E0235R E0236R E0237R	D2101Q	H2203R	P2765 P2766 P2767	MH41	MT01	MF91-A	UY128GAS #10
C007JD-U822 /CRL/CY/CL/RL	248 356 364	M5248 M5356 M5364	E0225R E0226R E0227R	D2101Q	H2203R	P0965 P0966 P0967	—	MT01	MF91-A	UY128GAS #10
C007JD-U823 /CRL/CY/CL/RL	248 356 364	M5248 M5356 M5364	E0235R E0236R E0237R	D2101Q	H2203R	P0965 P0966 P0967	—	MT01	MF91-A	UY128GAS #10
C007JD-W822 CRL/CY/UTP/CL/RL	248 356 364	M5248 M5356 M5364	E0225R E0226R E0227R	D2101Q	H2203R	P2765 P2766 P2767	MH41	MT01	MF91-A	UY128GAS #10
C007JD-W823 CRL/CY/UTP/CL/RL	248 356 364	M5248 M5356 M5364	E0235R E0236R E0237R	D2101Q	H2203R	P2765 P2766 P2767	MH41	MT01	MF91-A	UY128GAS #10

註：C007JD-W812A/W813A 機型之針板與差送具為5排齒。

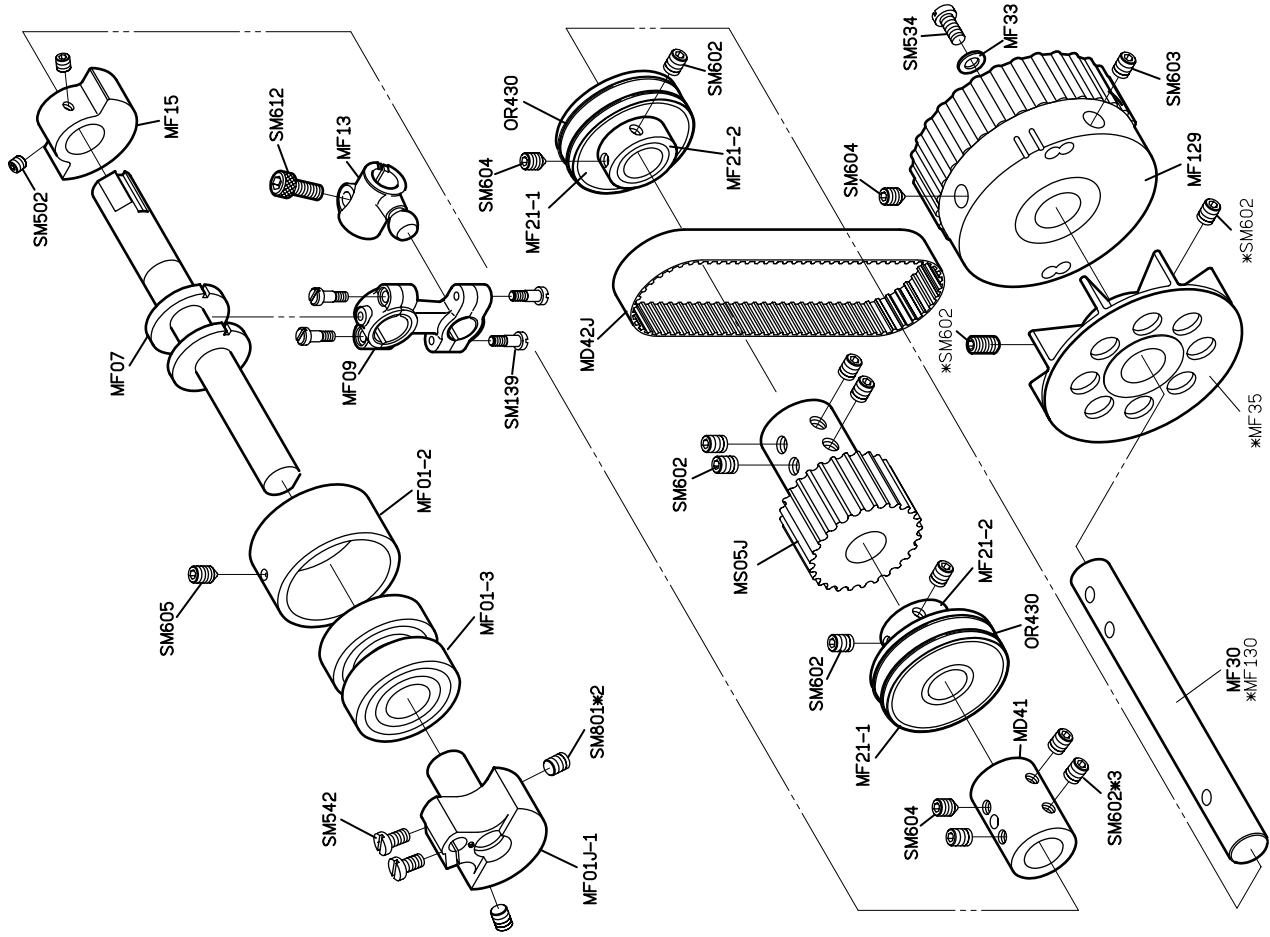
C007JD-W812/W813 機型之針板與差送具為4排齒。

規格件表 CONVERSION CHART-10

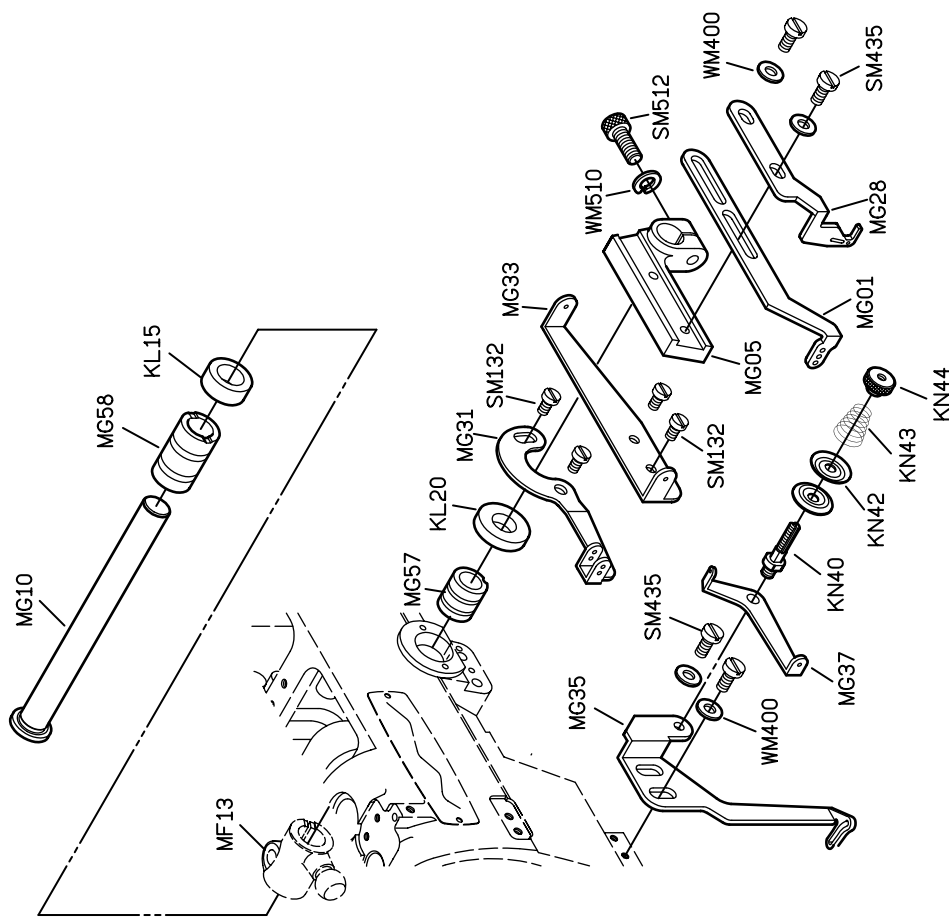
MODEL	機 型	SUB-CLASS	規 格	NEEDLE CLAMP	NEEDLE PLATE	MAIN FEED DOG	DIFF. FEED DOG	PRESSER FOOT	SPREADER	LOOPER	CAM	NEEDLE
C007JD-U822	CRL/CY/UTQ/CL/RL	248 356 364	針 座 針 板	M5248 M5356 M5364	E0225R E0226R E0227R	D2101Q	H2203R	押 具 P0965 P0966 P0967	上 叉 —	勾 針 MT01	偏 心 凸 輪 MF91-A	針 號 UY128GAS #10
C007JD-U823	CRL/CY/UTQ/CL/RL	248 356 364	針 座 針 板	M5248 M5356 M5364	E0235R E0236R E0237R	D2101Q	H2203R	押 具 P0965 P0966 P0967	—	—	—	針 號 UY128GAS #10
C007JD-U822	CRL/CY/UTQ/CL/RL	248 356 364	針 座 針 板	M5248 M5356 M5364	E0225R E0226R E0227R	D2101Q	H2203R	押 具 P0965 P0966 P0967	—	—	—	針 號 UY128GAS #10
C007JD-U823	CRL/CY/UTQ/CL/RL	248 356 364	針 座 針 板	M5248 M5356 M5364	E0235R E0236R E0237R	D2101Q	H2203R	押 具 P0965 P0966 P0967	—	—	—	針 號 UY128GAS #10

註：C007J-W/U122A-³⁵⁶
364 /CH 時，增加 CE04-A

C007JD-W/U322A-³⁵⁶
364 /CC 時，該針板與送金改用 C007JD-W/U122-³⁵⁶
364 之針板與送金

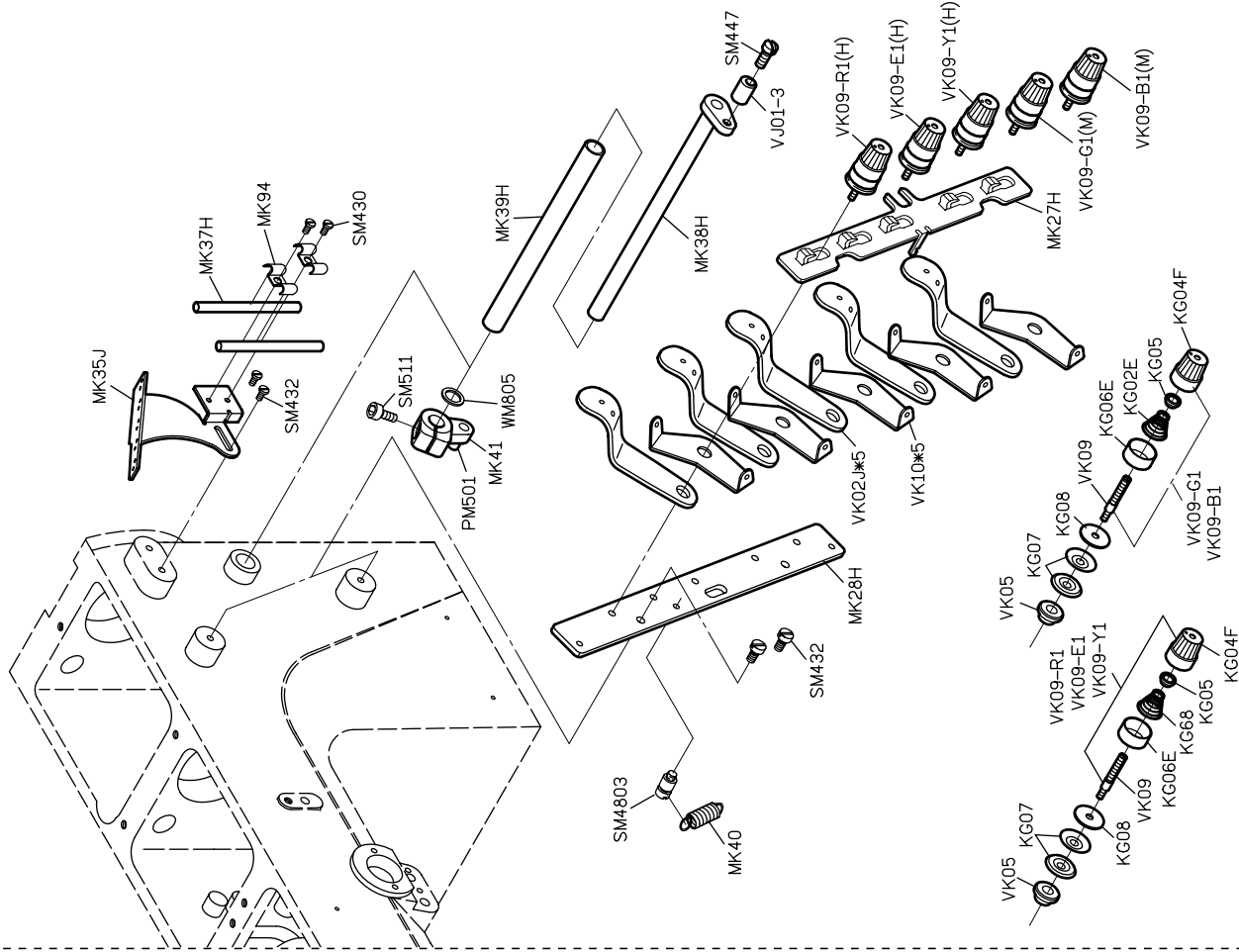
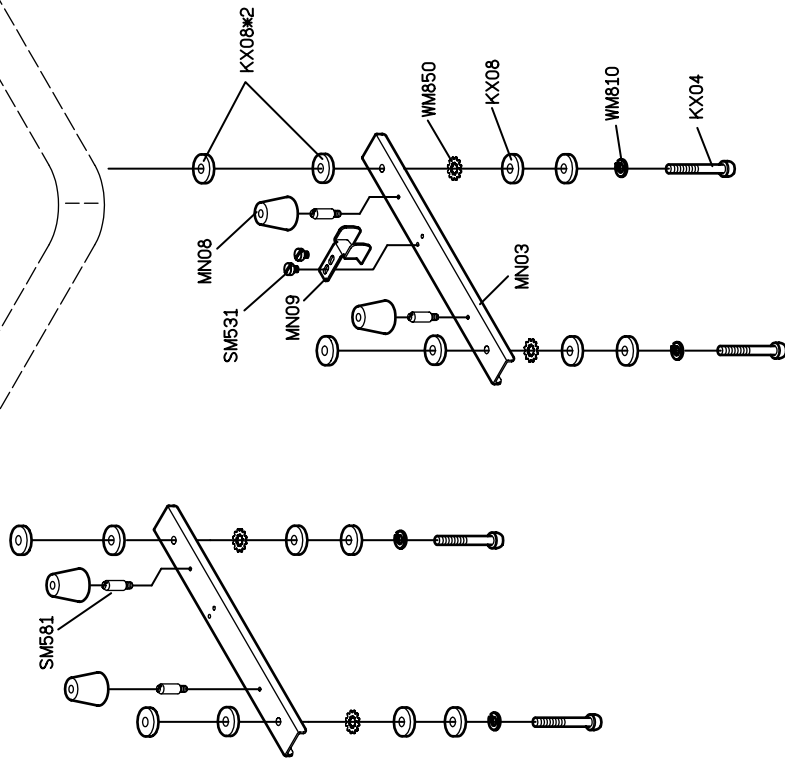
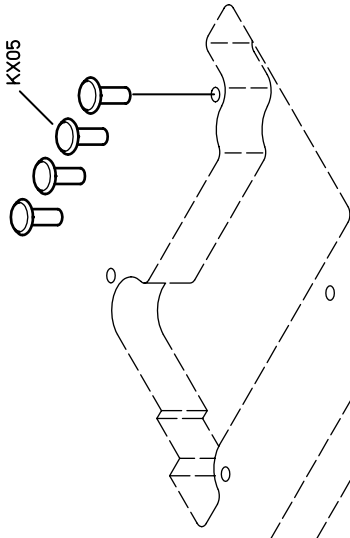


PARTS LIST FOR MF GROUP



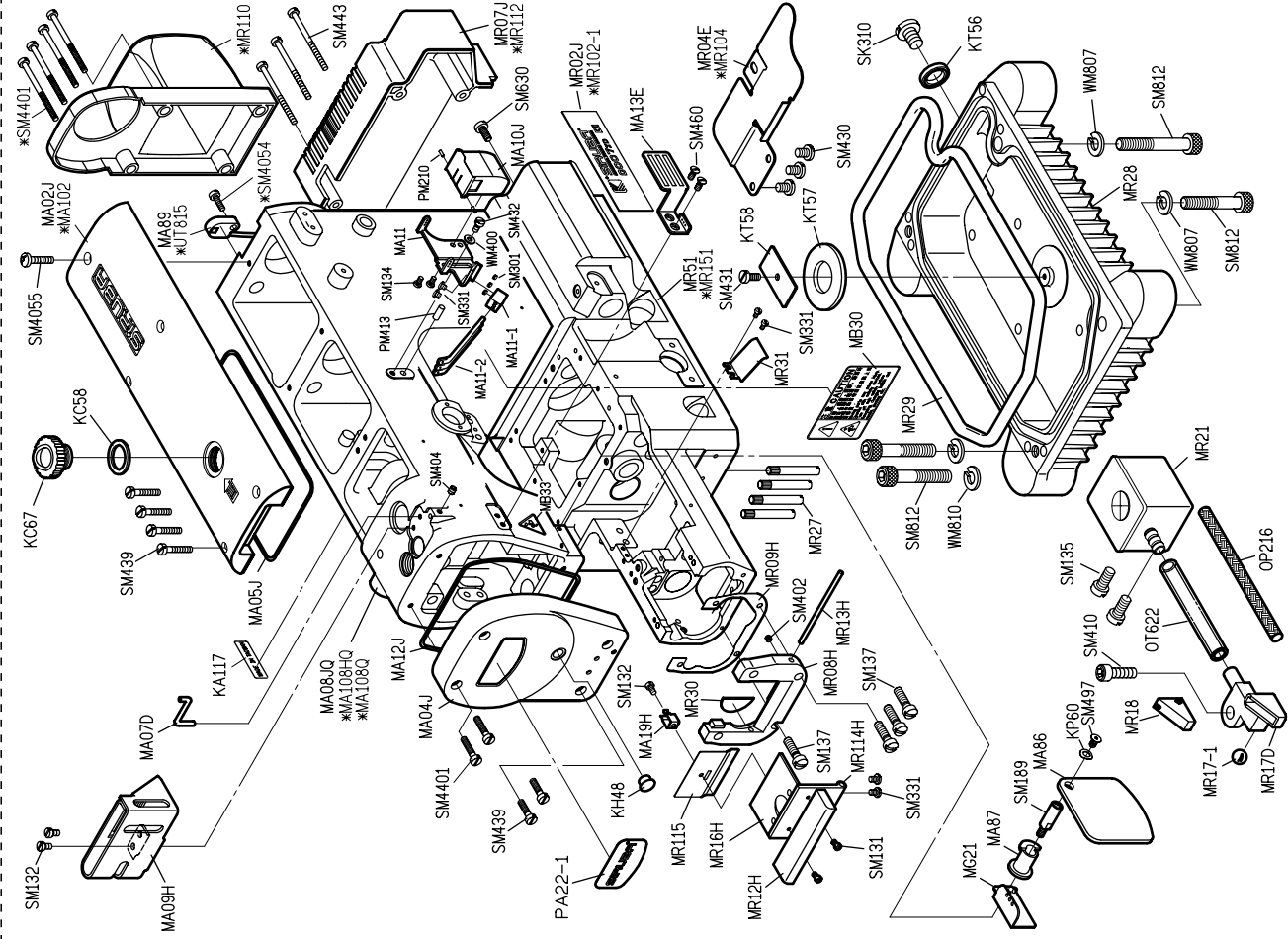
PARTS LIST FOR MG GROUP

KX05

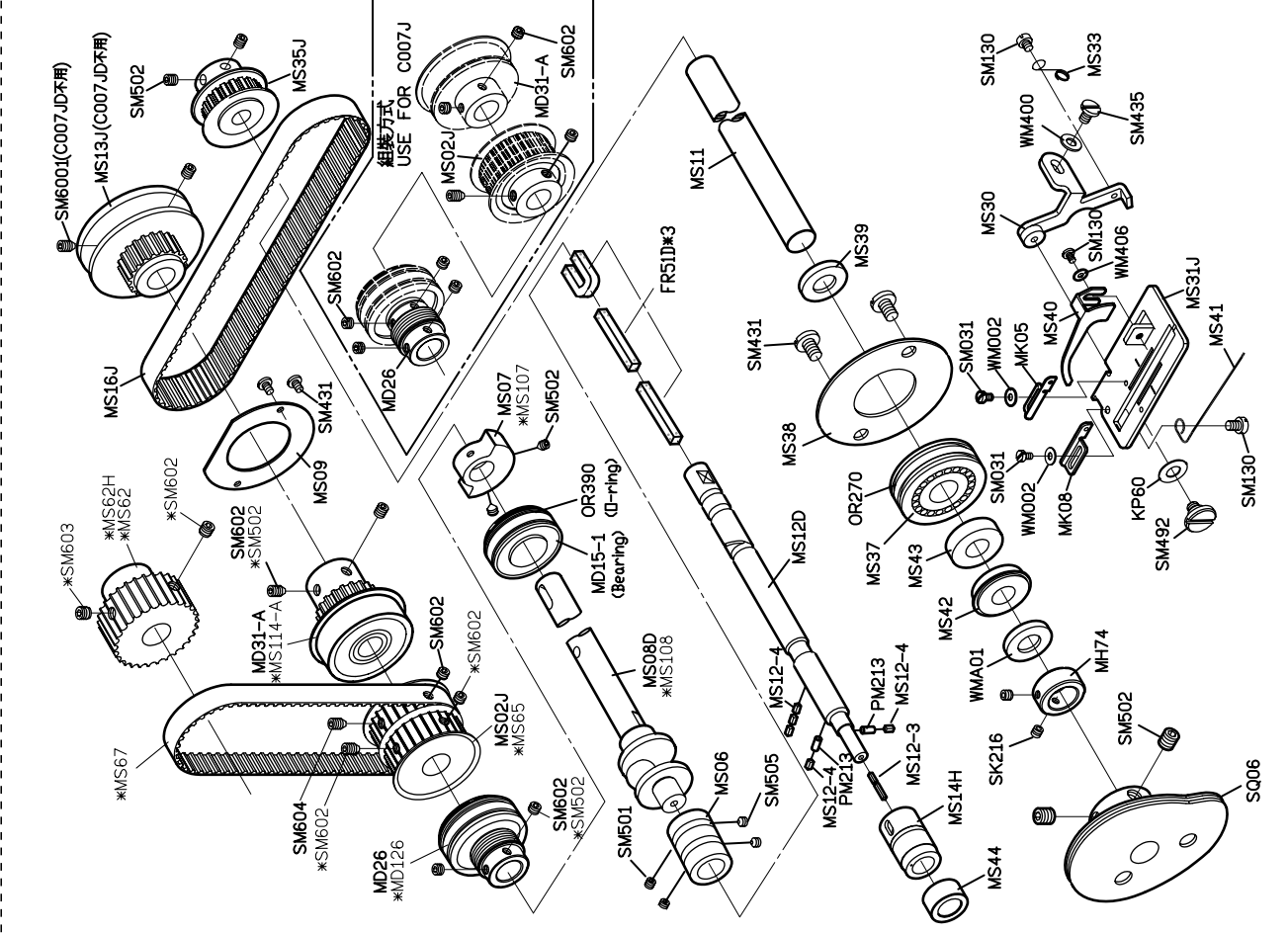


PARTS LIST FOR MK GROUP

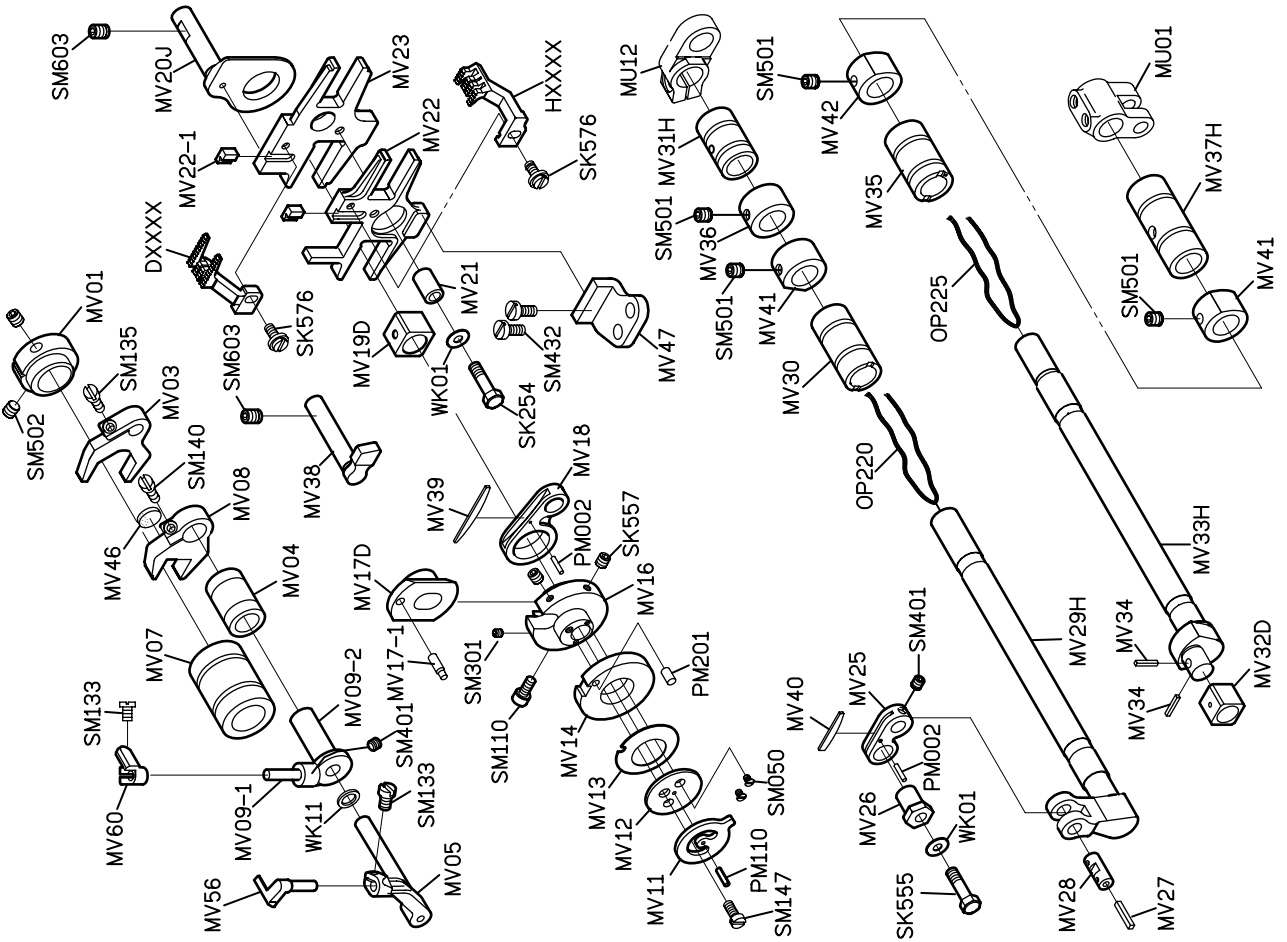
PARTS LIST FOR MN GROUP



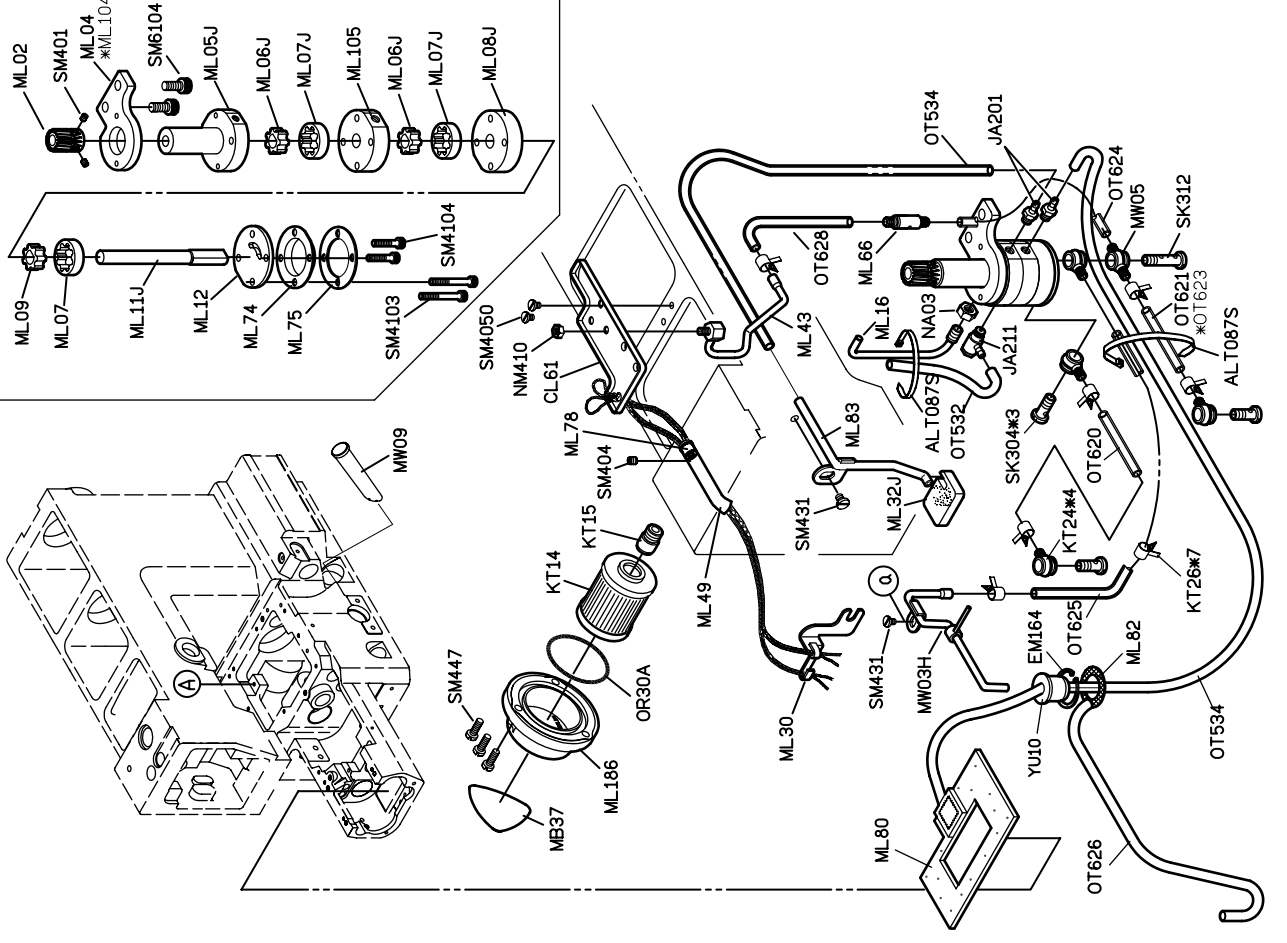
PARTS LIST FOR MR GROUP



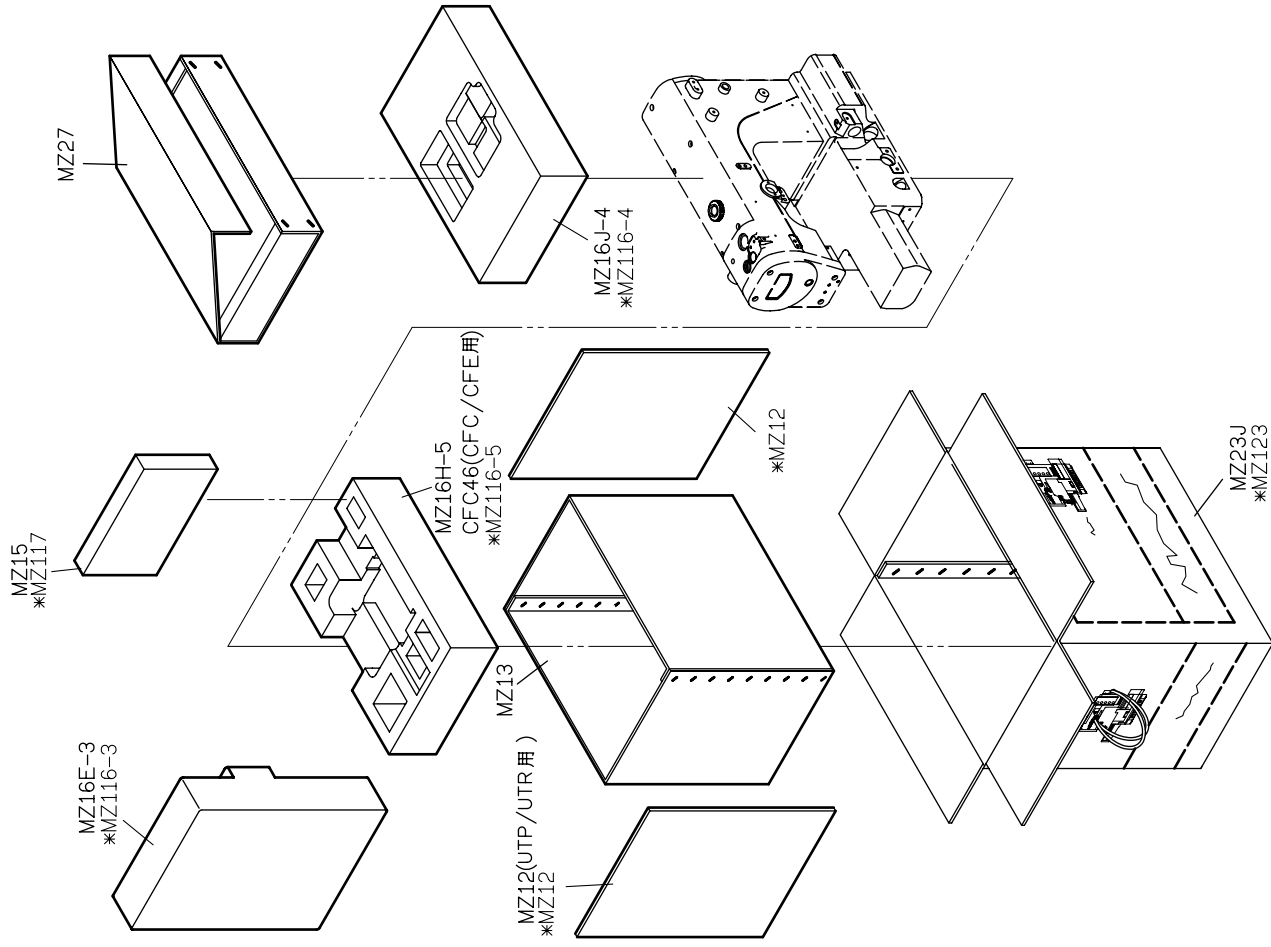
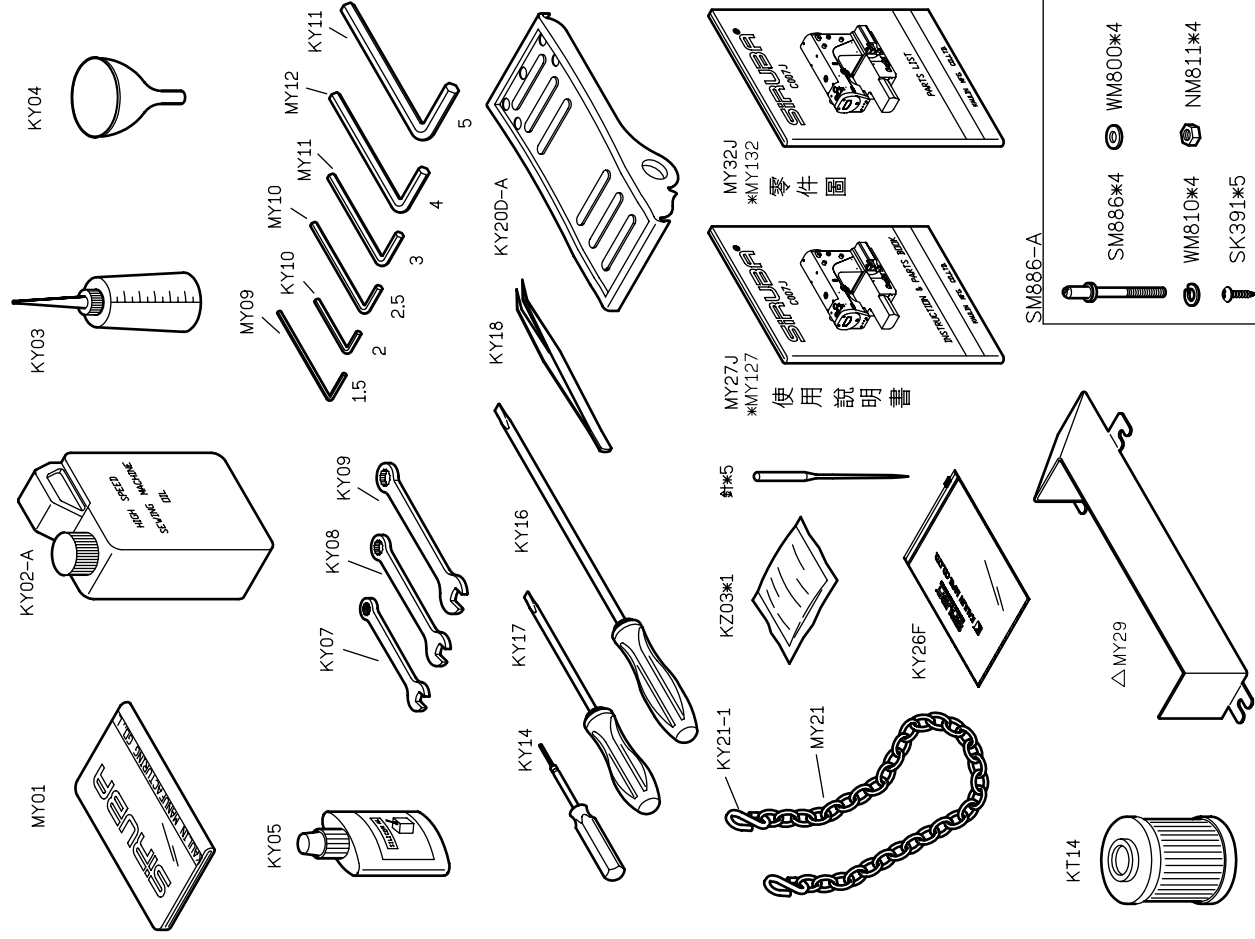
PARTS LIST FOR MS GROUP



PARTS LIST FOR MV GROUP



PARTS LIST FOR MW GROUP





C007JD

高林股份有限公司 KAULIN MFG. CO., LTD.